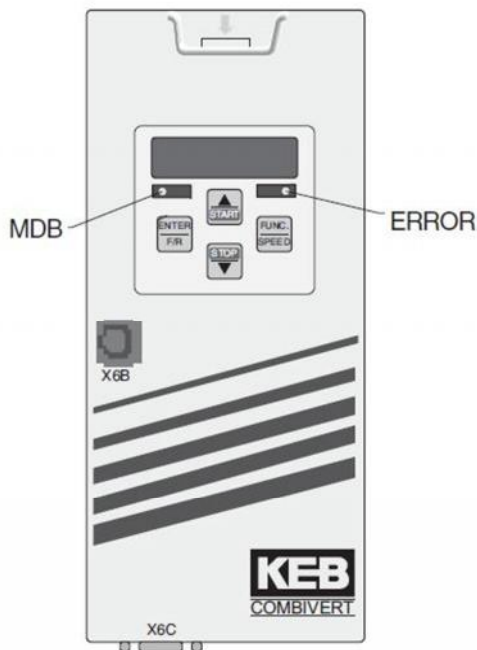


KEB F5-ModBus RTU: .....00.F5.060- 000



**MDB** ( ) – ModBus RTU.

**ERROR** ( ):

- =>
- =>
- =>

**X6B** – RJ45 (HSP5).

**X6C** – DB9 (ModBus RTU).

( 6 ):

- ( 00.F5.0C0-0010);
- HSP5 ( 00.F5.0C0-0020);
- KEB COMBIVIS 5 ( [www.keb-privod.ru](http://www.keb-privod.ru)).

**DB9** ( ModBus) ( 6 ):

ModBus, RS-232 RS-485

<b>6</b>		
1	-	
2	RS232_TxD	RS232-Tx-
3	RS232_RxD	RS232-Rx-
4	RS485_RxD(A)	RS485-Rx- -A
5	RS485_RxD(B)	RS485-Rx- -B
6	VCC	+24
7	GND	
8	RS485_TxD(A)	RS485-Tx- -A
9	RS485_TxD(B)	RS485-Tx- -B

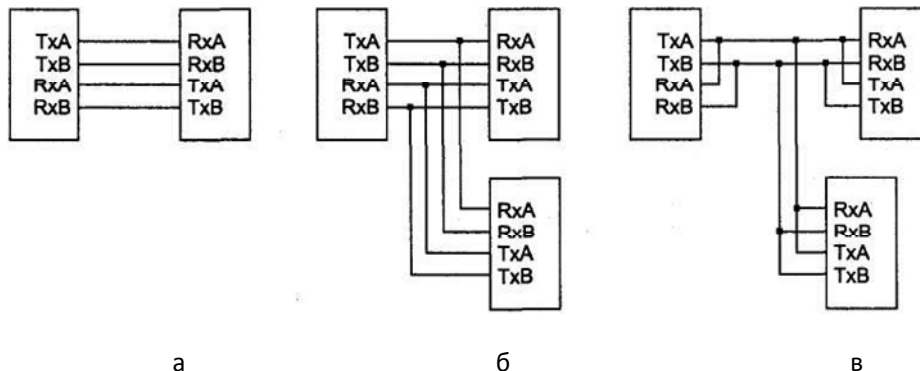
## ModBus

EIA-RS-422 (ITU-T V.11, X.27) EIA-RS-485 (ISO 8482)

U<sub>A</sub>-U<sub>B</sub>>0,2 ( ) — « »  
 (space), U<sub>A</sub>-U<sub>B</sub><-0,2 ( ) — « » (mark). |U<sub>A</sub>-  
 U<sub>B</sub>|<0,2 ( ),  
 U<sub>A</sub> U<sub>B</sub>  
 0 +5 ( ) +1 +4 ( ),  
 1,5-5 . 100 .

RS-485 —

( 10 )  
 ( 25 ).  
 (1200 / - 25 , 9600 / - 30 ).  
 (1200 )



: — RS-422, — RS-485 , — RS-485

## 1. ModBus Transmission Speed ( sy.07 )

0	1200 Bit/s
1	2400 Bit/s
2	4800 Bit/s
3	9600 Bit/s
4	19200 Bit/s
5	38400 Bit/s
6	55500 Bit/s

## 2.

ModBus.

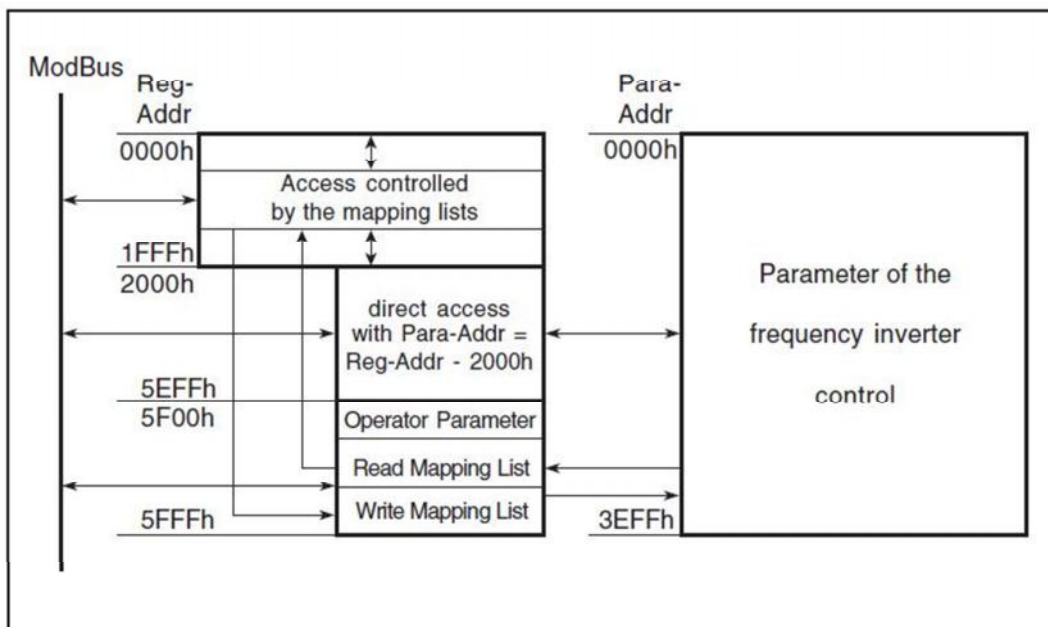
ModBus – : **ModBus Register address = Combivis Parameter address + 2000h**

\* :

*ru.54 - Combivis Parameter address = 0236h*

*ru.54 - ModBus-Register address = 2236h*

.. *Modbus* *ru.54,* -  
 0236h, 2236h.



### 3.

:

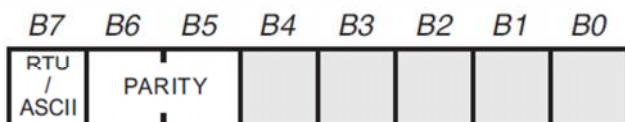
Modbus

<http://public.modicon.com/>

- **MDB\_ProtCfg (Fb.00)** -

ModBus ( )

: «C0h»: Modbus RTU, 8, , 1



7: = 1: Modbus RTU ( )

= 0: Modbus ASCII ( )

6, 5: = 00: 8, , 2 -

= 01: 8, , 1 -

= 10: 8, , 1 -

4, 3, 2, 1, 0 =

\* :

A0h: RTY/ODD/1

80h: RTY/NO/2

- **MDB\_SlavAddr\_OP (Fb.01)** -

ModBus.

:

**Sy06.**

**MDB\_SlavAddr\_OP (Fb.01) 255 ( ), (Sy.06).**

### 4.

KEB 16-bit 32-bit.

, . . . ModBus

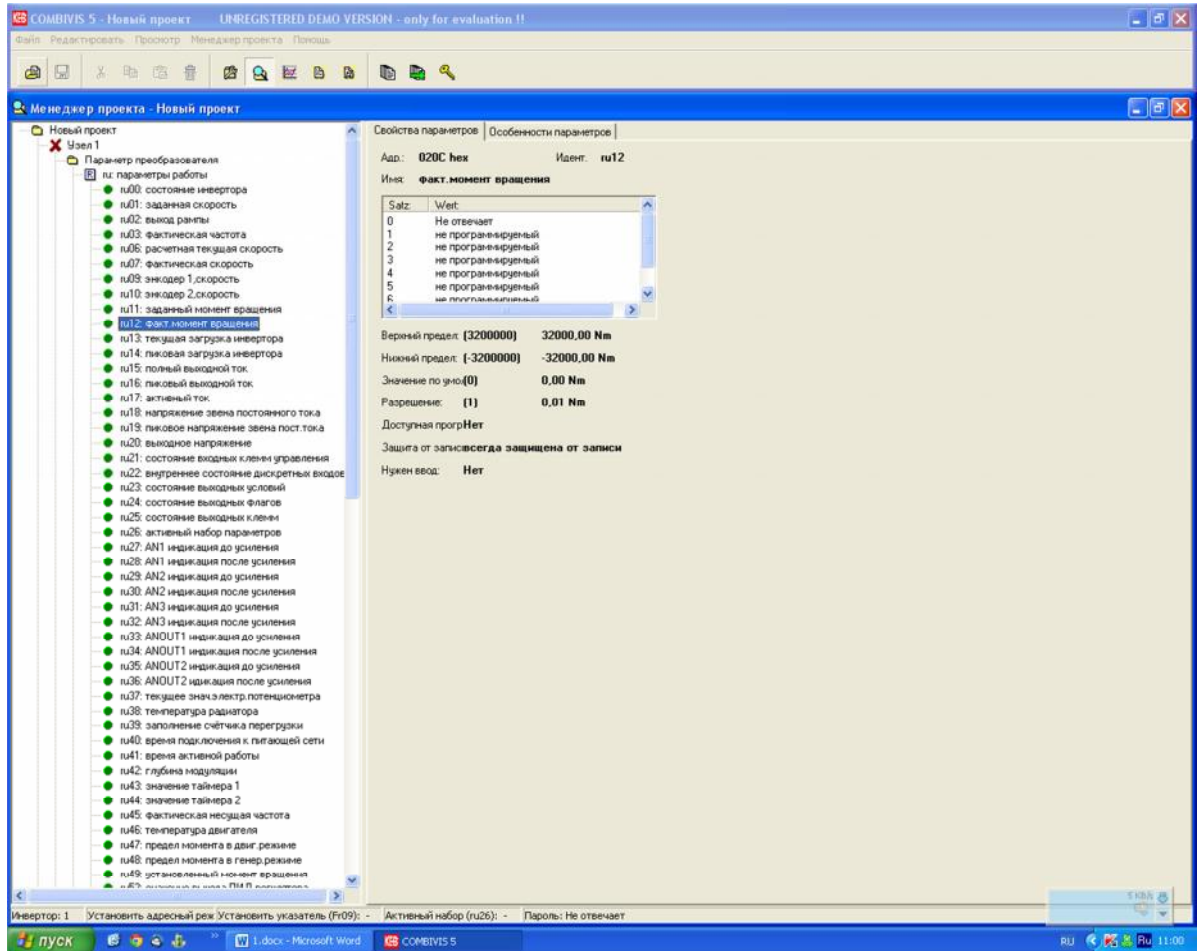
«integer», . . . 16-bit.

COMBIVIS 5

, COMBIVIS 5 : « -

/ / » «

» « », -



, -32 768 +32 767, 16-bit( ) ,  
32-bit( ).

«integer».

:  
16-bit( ) -

(Combivis Parameter address +2000h = ModBus-Register address).

32-bit( ) « », Fb.02, Fb.04, Fb.09,  
Fb.10.

- **Fb.02**(MapStartAdres) = 0200h – ( ) ,

Fb.09 Fb.10 ,

-**Fb.09=0** - ( ) .

-**Fb.10=** DD - AABB- (Combivis Parameter),  
 Fb.02(0200h), 0207h «ru07-»,  
 CC- ( ) DD-« »:01-16bit( ) , 02-32bit( )

0	01
1	02
2	04
3	08
4	10
5	20
6	40
7	80

\* 16bit( ) :

*Fb.02=0200h*

*Fb.09=0*

*Fb.10=02070101* , *0200h*, *ru.07*,  
*0*, *16bit( )* .

*Slave*, *0200h*, -  
*ru.07*, *Combivis Parameter address=0207h*,  
*ModBus-Register address=2207h*.

, *ru.07* :

1)

*(Combivis Parameter address(0207h) +2000h = ModBus-Register address(2207h))*

2)

*0200h*.

\* 32bit( ) :

Fb09=1 - , 0201h ( -  
« »)

Fb10=02360102 - 0236- ,  
0201h, ( ru54), 01- , 02-32bit( ). . . 0201h  
, 16-bit , ru54. «02»- -  
, « ».

Fb09=2 - , 0202h

Fb10=02360102 – ru54

**-Fb.04(MDB\_MapNr\_Rd) –** ( ) .

32-bit , Fb.9 Fb.10, -  
100 «16-bit( )» , . . . 50 «32-bit( )» -

(Fb.04) «16-bit( )» ,  
( 32-bit( ) ) 16-bit( )).

:

**16-bit( )** -

:

(Combivis Parameter address +2000h = ModBus-Register address).

**32-bit( )** « », Fb.03, Fb.05, Fb.11,  
Fb.12.

**Fb.03(MDB\_MapStartAddr\_Wr)** ( ) -

\* 32bit( ) :

Fb.03=0300h.

:

*Fb.11=0* – ( ),  
0300h.

*Fb.12=13180102* - ( *Ps.24*)

*Fb.11=1* – ( ),  
0301h.

*Fb.12=13180102* – *Ps.24*

**-Fb.05(MDB\_MapNr\_Wr)** – ( ) .

32-bit , Fb.11 Fb.12, -  
100 «16-bit( )» , . . . 50 «32-bit( )» -